

# RW70/100/140/200-34/68 Motor gearboxes



The RW70/100/140/200-34/68 motor gearboxes are maintenance-free, compact drive units for operating indirect ventilation systems in greenhouses and livestock houses.

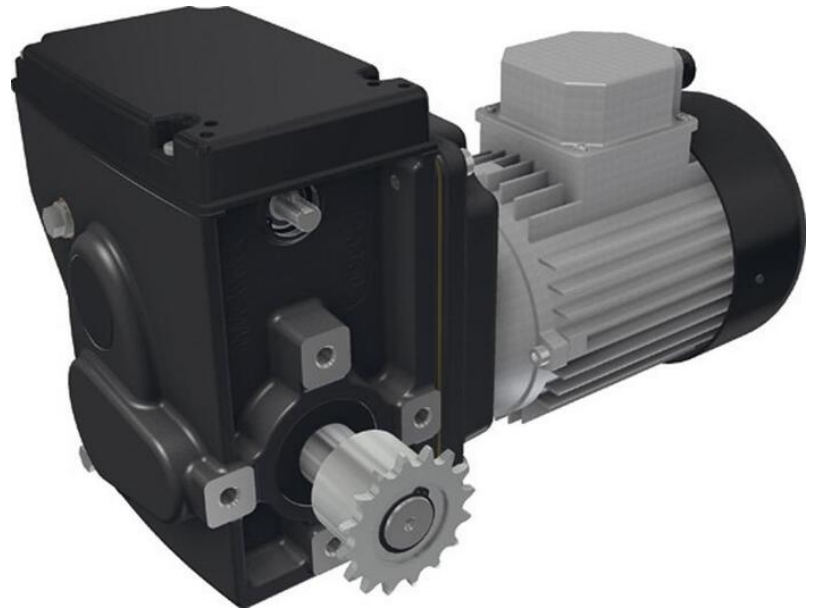
All RW70/100/140/200-34/68 motor gearboxes feature a self-braking worm gear transmission. This transmission ensures that the output shaft is braked when the drive unit is stopped. The combination of carefully matched pinion and worm reductions results in a very quiet mechanical transmission.

The RW70/100/140/200-34/68 motor gearboxes feature a patented integrated linear limit-switch system with duty and safety switches having excellent switching precision. The maximum switching range of the limit-switch system equates to 860 revolutions of the drive shaft. The optional RPU Positioning Unit accurately monitors the current position of a drive system and transmits this data back to your climate computer or controller.

The RW70/100/140/200-34/68 motor gearboxes are finished with a graphite grey powder coating and are supplied including fixing bolts and spring washers.

## RW70/100/140/200-34/68 Motor gearboxes:

- Drive torque from 70 up to 200Nm at 50 Hz and 60 Hz mains frequencies;
- Rotation speeds of 34 or 68 rpm at 50 Hz, 41 or 82 rpm at 60 Hz mains frequency;
- Suitable for intermittent duty, duty class s3-35%, duty cycle maximum 25 minutes;
- Fitted with 16-tooth 12"x5/16" zinc-plated sprocket for chain couplings;
- Manual drive enabled by means of a hexagon socket in the electric motor shaft;
- Electric motors are standard tropic-proof and conform to protection class IP55;
- Available with 3-phase electric motors, 400 V at 50Hz (eurovoltage, EM type A);
- Or with 3-phase electric motors with CSA and/or UL approval, 208-415V at 50/60 Hz and 415-480V at 60Hz (wide voltage, EM type B);
- Or with 3-phase electric motors with CSA approval, 600 V at 60 Hz (EM type C);
- Or with 1-phase electric motors, 230V at 50/60 Hz (EM type E);
- Other specifications and colours available on request.



# RW70/100/140/200-34/68 Motor gearboxes



| Item no.      | Description                  | [m]  | [M]<br>50Hz | [n]<br>50Hz | [M]<br>60Hz | [n]<br>60Hz | EM | F - | PTC | CSA<br>UL | EM<br>nr |
|---------------|------------------------------|------|-------------|-------------|-------------|-------------|----|-----|-----|-----------|----------|
|               |                              | kg   | Nm          | /min        | Nm          | /min        |    |     |     |           |          |
| <b>538021</b> | RW70-34-55\400\3\860         | 30   | 70          | 34          |             |             | A  | 3   |     |           | 763060   |
| <b>538031</b> | RW100-34-75\400\3\860        | 31,5 | 100         | 34          |             |             | A  | 3   |     |           | 763070   |
| <b>538041</b> | RW140-34-110\400\3\860       | 32,5 | 140         | 34          |             |             | A  | 3   |     |           | 763080   |
| <b>538051</b> | RW200-34-150\400\3\860       | 33,5 | 200         | 34          |             |             | A  | 3   |     |           | 763090   |
| <b>535900</b> | RW70-34-55\208-480\3\C\860   | 30   | 70          | 34          | 70          | 41          | B  | 3   | •   | C         | 764042   |
| <b>535930</b> | RW140-34-110\208-480\3\C\860 | 34,5 | 140         | 34          | 140         | 41          | B  | 3   | •   | CUR       | 764072   |
| <b>535950</b> | RW200-34-150\208-480\3\C\860 | 38   | 200         | 34          | 200         | 41          | B  | 3   |     | C         | 704092   |
| <b>538055</b> | RW200-41-180\600\3\60\C\860  | 38   |             |             | 200         | 41          | C  | 3   |     | CU        | 763692   |
| <b>535955</b> | RW200-68-300\208-480\3\C\860 | 40   | 200         | 68          | 200         | 82          | B  | 3   |     | C         | 764125   |
| <b>538056</b> | RW200-82-360\600\3\60\C\860  | 40   |             |             | 200         | 82          | C  | 3   |     | C         | 703724   |
| <b>538121</b> | RW70-34-55\230\1\0C\C\860    | 31   | 70          | 34          | 70          | 41          | E  | 1   | •   | C         | 761042   |
| <b>538141</b> | RW140-34-110\230\1\C\860     | 37   | 140         | 34          | 140         | 41          | E  | 1   |     | C         | 761062   |